

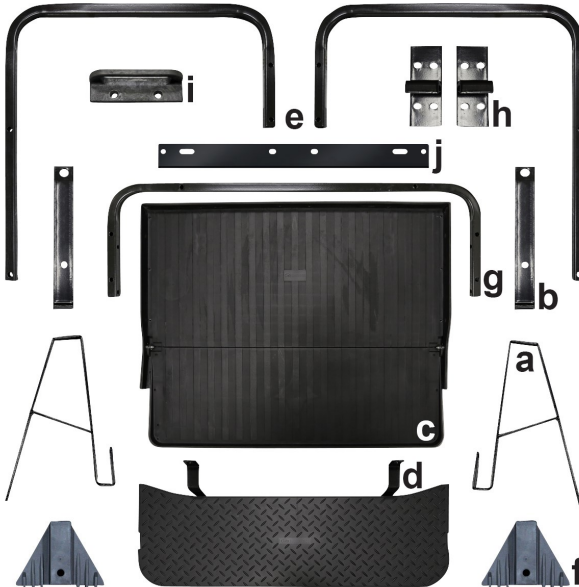


## SEAT-421 / SEAT-425

Club Car DS

Rhino Seat Kit

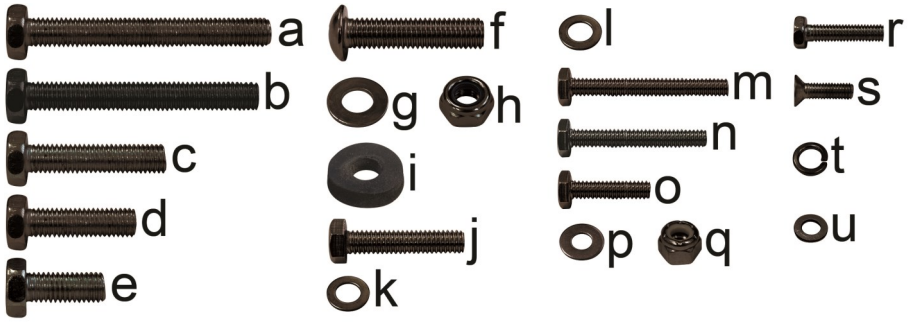
### Installation Instructions



Contents of SEAT-421 / 425 Rhino Seat Kit:

- a (2 ea.) Front Seat Back Supports
- b (2 ea.) Vertical Support Brackets
- c (1 ea.) Seat Platform
- d (1 ea.) Foot Plate
- e (2 ea.) Handrails
- f (2 ea.) Foot Plate Support Brackets
- g (1 ea.) Rear Seat Back Support Frame
- h (2 ea.) Rear Seat Back Brackets
- i (1 ea.) Seat Bottom Handle
- j (1 ea.) Seat Platform Support Bracket
- k (1 ea.) Box of Hardware (Contents on Next Page)

**Caution:** Please read through the instructions carefully. Installer is responsible for damage if instructions are not followed properly. Look behind each drill or cut location BEFORE YOU DRILL OR CUT. Installer is responsible for damage (i.e. drilling/cutting into a wiring harness, battery, fuel tank etc.). Extra installers will be helpful in some parts of the installation. Refer to vehicle's maintenance manual for torquing specifications on reused hardware.



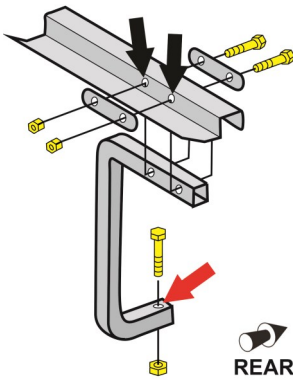
Contents of SEAT-421 / 425 Hardware Kit		Bag #1	#2	#3	#4	#5	#6
a	10mm x 80 Hex Head Bolts				2		
b	10mm x 75 Hex Head Bolts				4		
c	10mm x 45 Hex Head Bolts					2	
d	10mm x 35 Hex Head Bolts		2	2			
e	10mm x 25 Hex Head Bolts		2				
f	10mm x 45 Phillips Head Truss Bolts				2		
g	10mm Flat Washers		8	4	14	4	
h	10mm Nylock Nuts		4	2	8	2	
i	10mm x 8mm Thick Spacers				2		
j	5/16-18 x 1.5" Hex Head Bolts	2					
k	5/16" Flat Washers	2					
l	8mm Flat Washers		2				
m	1/4-20 x 2" Hex Head Bolts						4
n	1/4-20 x 1-3/4" Hex Head Bolts						4
o	1/4-20 x 1" Hex Head Bolts						4
p	1/4" Flat Washers						12
q	1/4-20 Nylock Nuts						4
r	6mm x 25 Hex Head Bolts					4	
s	6mm x 20 Phillips Head Countersunk Screws					2	
t	6mm Lock Washers					4	
u	6mm Flat Washers					4	

Tools Needed For Installation

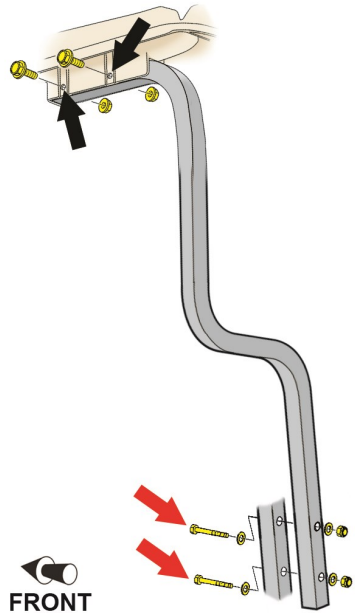
- Sockets and Open Ended Wrenches: 10mm, 7/16", 1/2", 13mm, 17mm
- Phillips Screwdriver
- Rubber Mallet (Optional)

Installation Preparation

1. Engage parking brake.
2. Turn key OFF.
3. Electric Carts Only: Place Tow/Run Switch in Tow.
4. Remove top (black arrows).
5. Remove rear struts (red arrows).

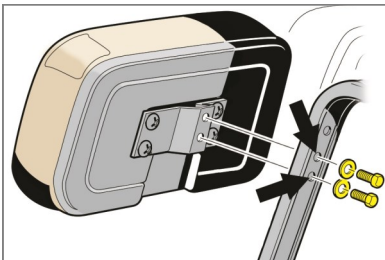


DS Old Style  
Rear Strut (Driver Side)

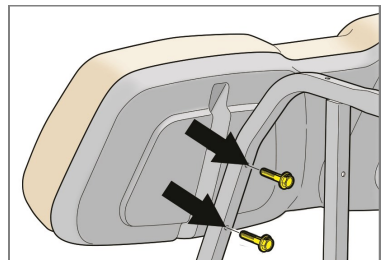


DS New Style  
Rear Strut (Driver Side)

6. Remove the front seat back cushion(s) by hand. Retain hardware.



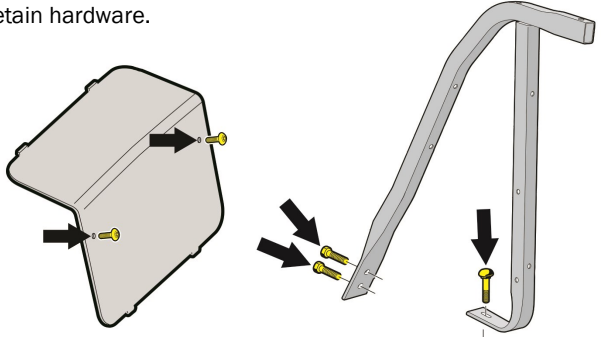
DS Old Style  
(Driver Side Seat Back)



DS New Style  
(Driver Side)

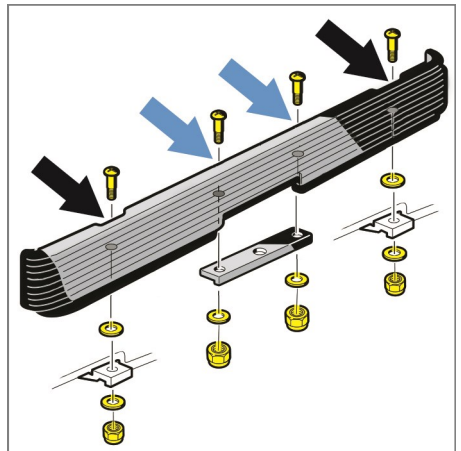
7. Remove access panel. Retain hardware.

8. Remove front seat back supports and sweater basket assembly. Retain hardware.



(Driver Side, DS New Style)

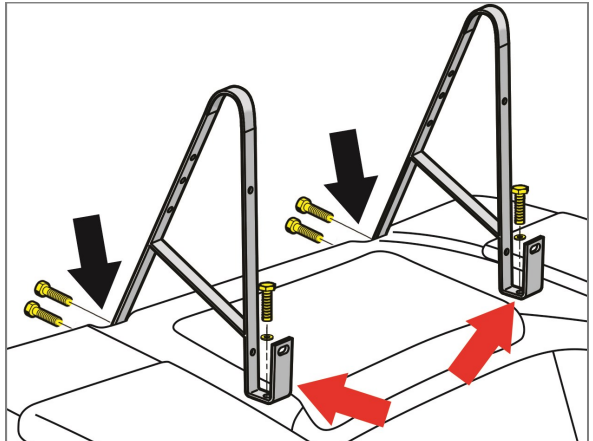
9. Remove rear bumper. Retain hardware and bumper. Discard mounting plate (blue arrows).



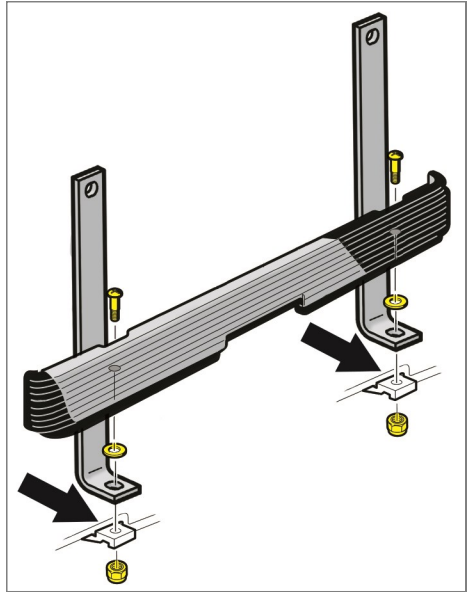
### Rear Seat Kit Installation

1. Install the new front seat back support brackets where the original brackets were installed. Mount using the Original Hardware (black arrows), (2) 5/16-18 x 1.5" Hex Head Bolts and (2) 5/16" Flat Washers and (2) Original Nuts removed earlier (**Bag #1**, red arrows).

2. Reinstall the access panel using the Original Hardware.

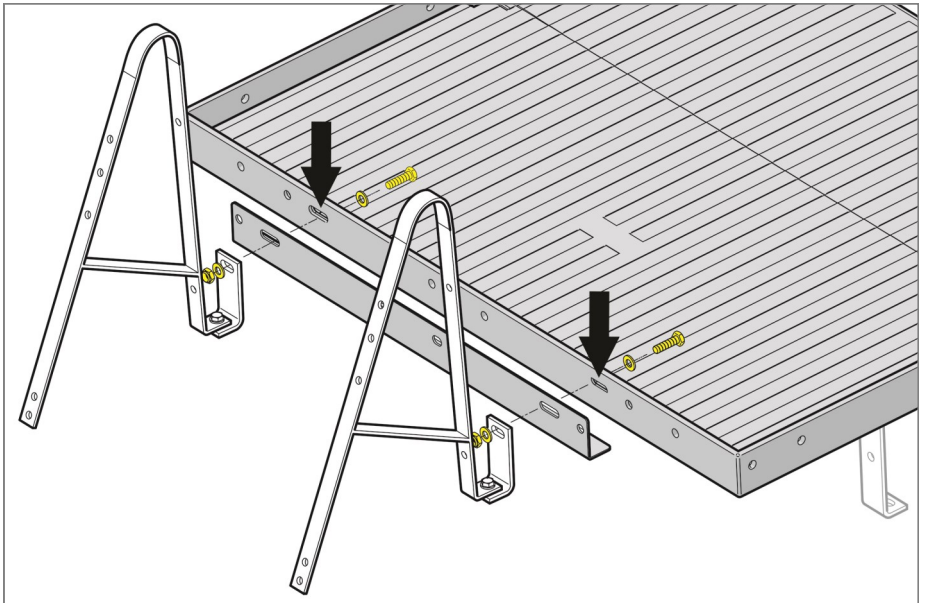


3. Loosely install the vertical support brackets to the bumper mounts and bumper using the Original Bolts, Nuts and (2) 8mm Flat Washers (**Bag #2**).

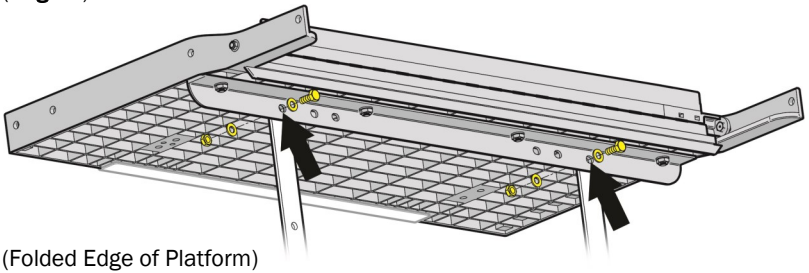


4. Loosely install the seat platform and seat platform support bracket to the front seat back support brackets using (2) 10mm x 35 Hex Head Bolts, (4) Flat Washers and (2) Nylock Nuts (**Bag #2**).

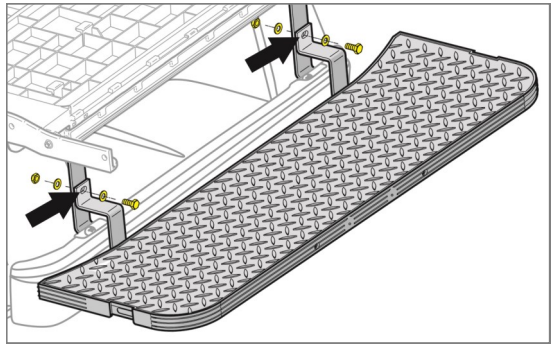
**NOTE:** Protect the rear body from scratches with a thick blanket or clean piece of cardboard. An extra installer is recommended on this step.



- With the platform folded, loosely install the seat platform to the vertical support brackets using (2) 10mm x 25 Hex Head Bolts, (4) Flat Washers and (2) Nylock Nuts (**Bag #2**).



- Loosely fasten the footplate to the vertical support brackets using (2) 10mm x 35 Hex Head Bolts, (4) Flat Washers and (2) Nylock Nuts (**Bag #3**).

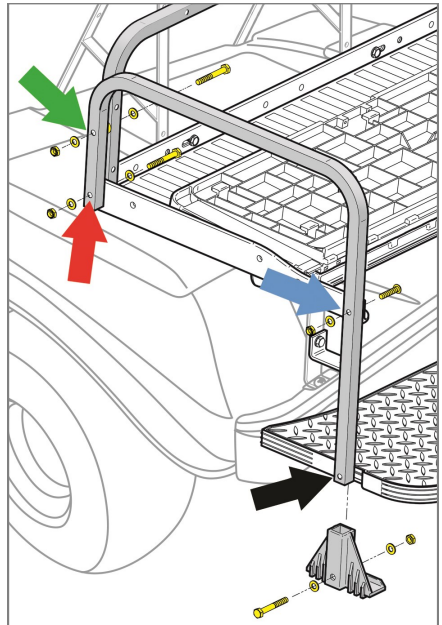


- Loosely fasten the longer leg of a handrail to the rearmost portion of the seat platform (blue arrow) using (1) 10mm x 45 Phillips Head Truss Bolt, (1) Flat Washer and (1) Nylock Nut (**Bag #4**).

- Slide a footplate support bracket over the long end of the handrail until the holes align (black arrow). The bracket will cradle the footplate. Loosely fasten the bracket and handrail to the footplate using (1) 10mm x 80 Hex Head Bolt, (2) Flat Washers & (1) Nylock Nut (**Bag #4**).

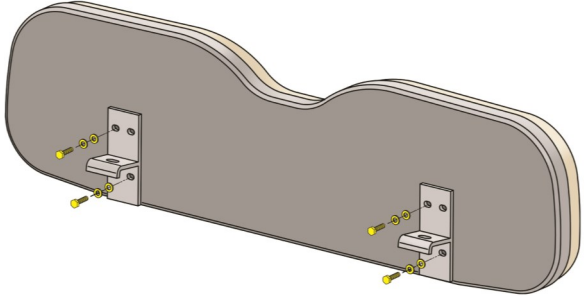
- Repeat Steps 7 and 8 for the opposite handrail.

- Place the rear seat back support frame between the handrails. Loosely fasten the support frame to the bottom of the handrails (red arrow) using (2) 10mm x 75 Hex Head Bolts, (4) Flat Washers and (2) Nylock Nuts (**Bag #4**)

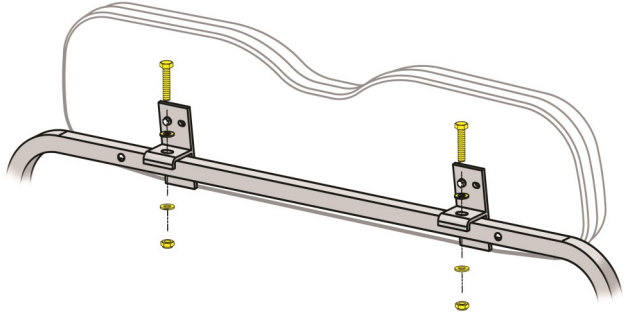


11. Loosely fasten the top of the handrails to the support frame (green arrow, page 6) using (2) 10mm x 75 Hex Head Bolts, (4) Flat Washers, (2) Nylock Nuts and (2) Spacers (**Bag #4**).
12. Install the front seat back cushion using (4) 1/4-20 x 1" Hex Head Bolts and (4) Flat Washers (**Bag #6**). Hand tighten.

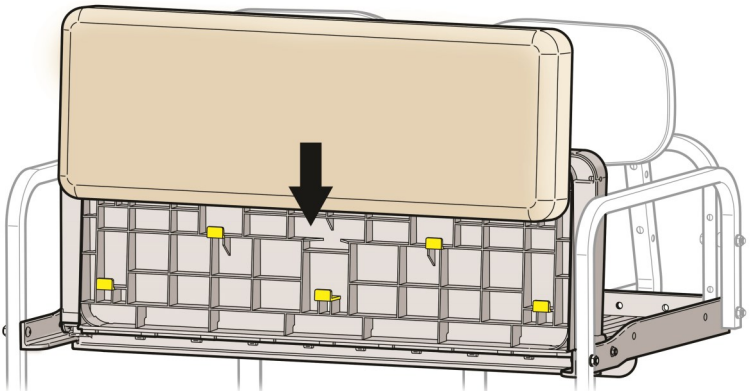
13. Install the rear seat back brackets to the rear seat back using (4) 6mm x 25 Hex Head Bolts, (4) 6mm Lock Washers and (4) 6mm Flat Washers (**Bag #5**). Hand tighten.



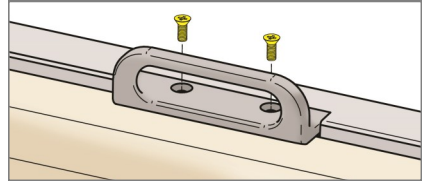
14. Install the rear seat back assembly to the rear seat back support frame using (2) 10mm x 45 Hex Head Bolts, (4) 10mm Flat Washers and (2) 10mm Nylock Nuts (**Bag #5**).



15. Align the recessed areas on the seat bottom cushion with the locking tabs on the seat platform (yellow). Slide the seat bottom onto the platform until it locks into place on the locking tabs.



16. Fasten the handle to the seat platform using (2) 6mm x 20 Phillips Head Countersunk Screws (Bag #5). Hand tighten to lock the seat bottom into place.



17. DS New Style Only: If reinstalling the OE rear struts, install them to the front seat back supports using (4) 1/4-20 x 1-3/4" Hex Head Bolts, (4) 1/4-20 Nylock Nuts and (8) 1/4" Flat Washers (Bag #6, red arrows).

DS Old Style or Extended Tops: If installing struts for a DS Old Style cart or an extended top, install them to the rear seat back support frame using (4) 1/4-20 x 2" Hex Head Bolts, (8) Flat Washers and (4) Nylock Nuts (Bag 6, black arrows).

**NOTE:** DS Old Style requires TOP-0101 (modifications may be required).

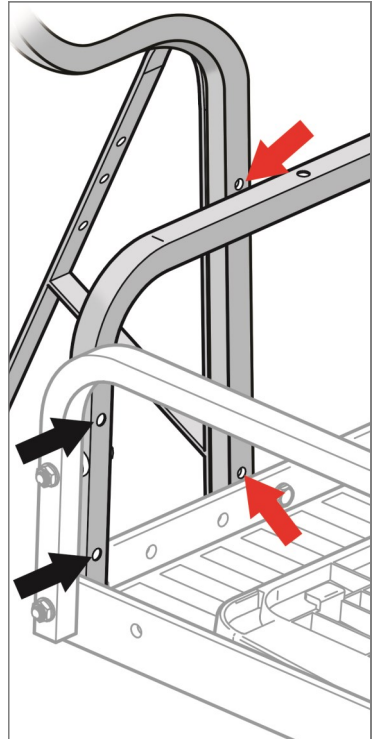
RHOX 88" Tops require TOP-0108 rear struts.

18. Reinstall top using Original Hardware (if applicable).

This completes the installation of your RHOX Rhino Seat Kit. Please enjoy safely!

Scan QR code or use the link below to view the installation video.

<https://vimeo.com/user39935056>



**RUGGED  
STARTS  
HERE**